

Rolls Crusher

WHERE CUTTING EDGE
FEATURES MEET
UNMATCHED DURABILITY
AND EFFICIENCY

Experience the next-level capabilities of the TM Rolls Crusher, setting new benchmarks in performance and lifespan against other crushers in its category.

MATERIAL CHOICES

Our standard rollers are crafted from high-grade tool steel for lasting quality. Alternate material options such as manganese steel or case-hardened mild steel are available upon request.

STREAMLINED ROLLER REPLACEMENT

Say goodbye to the cost and hassle of replacing entire roller-shaft units. Our detachable rollers make on-site replacements swift and simple. Plus, worn rollers can easily be resurfaced for extended use.

NO NEED FOR BEARING REMOVAL

Engineered for convenience, our design renders bearing removal unnecessary during roller replacements, effectively reducing machine downtime.

UNIFORM MATERIAL DISTRIBUTION

Benefit from our specially engineered feeding hopper that ensures uniform material distribution across the roller's surface. This design leads to even wear, boosting both performance and equipment longevity.

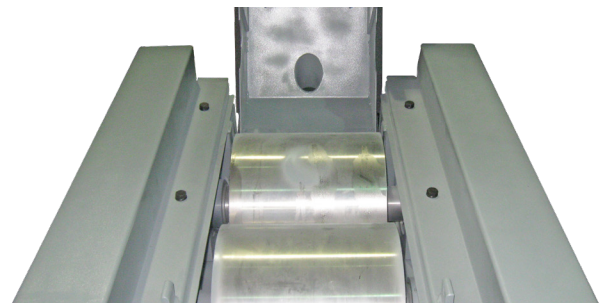
OPTIMAL DUST CONTROL

Experience a virtually dust-free operation, thanks to an integrated dust trap in the feed opening. Additional ports are available for connecting auxiliary dust collection systems.



STANDARD FEATURES

- **Dual Motors:** A dedicated motor for each roll guarantees optimal efficiency.
- **Quick and Precise Adjustments:** Adjust the gap between rolls from 0-1" quickly and efficiently. Our unique design ensures that the rolls remain parallel at all times.
- **Heavy-Duty Bearings:** Built to withstand the rigors of continuous operation.
- **Versatile Feed Size:** Compatible with your chosen opening setting.
- **Fine Grinding Capabilities:** Achieve material reduction down to -20 mesh when rolls are set at their closest.
- **Innovative Feeding Hopper:** Our patent-pending design evenly distributes material, maximizing roller durability and minimizing wear and tear.
- **Fully Enclosed for Safety:** The machine is fully sealed to prevent dust escape and is equipped with quick-remove guards for easy servicing and cleaning.

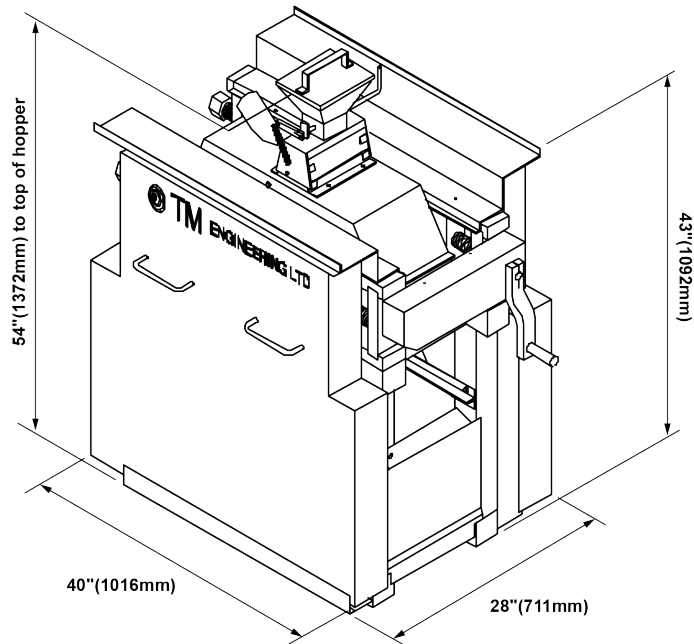


Rolls Crusher Technical Specifications

WEIGHT :	1700lb - 2500lb (773Kg - 1136Kg)
POWER :	<p>TWO MOTORS 3 PHASE / 60 Hz 7.5HP MOTOR HP WILL VARY UPON ROLLER SIZE 7.5HP, 10HP, 15HP, 20HP AVAILABLE UPON REQUEST SINGLE PHASE / AND/OR 50 Hz MOTORS AVAILABLE. PLEASE SPECIFY WHEN ORDERING</p> <p>VOLTAGE OPTIONS: 208, 220, 230, 240, 380, 415, 440, 460, 480, 575, 600</p>
CONFIGURATIONS :	6 X 6 to 14 X 12 (SEE ATTACHED CHART)
ADDITIONAL INFO:	FULL FEED BOX TAKES APPROX. SEVEN MINUTES TO CRUSH SAMPLES

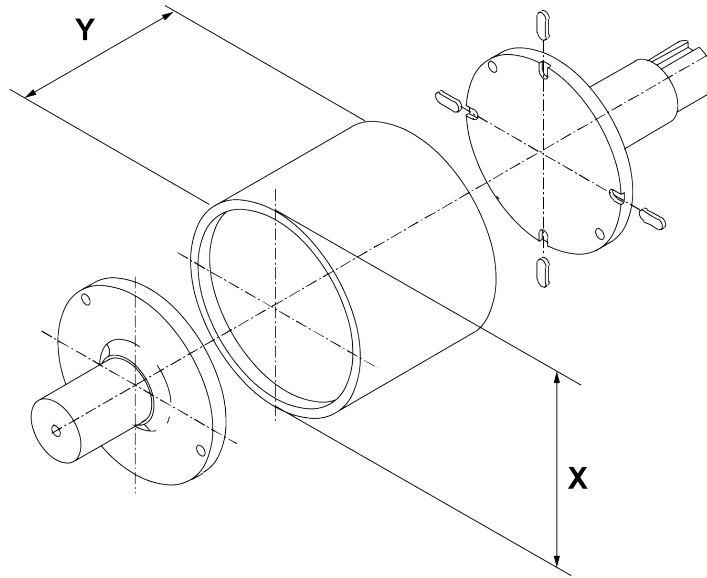
DIMENSIONS :

NOTE:
ALL DIMENSIONS ARE
NOMINAL AND ROUNDED
FOR GENERAL REFERENCE



Rolls Crusher Roller Sizes

NIP ANGLES AND FEED SIZE DETERMINE THE ROLL DIAMETER



PERFORMANCE STATISTICS IN CHART BELOW ARE ONLY INDICATIVE. MACHINE CAPABILITY CAN VARY CONSIDERABLY DEPENDING ON ROCK HARDNESS AND PARTICLE SIZE DISTRIBUTIONS.

SIZES AVAILABLE :

MODEL	X (DIAMETER)	Y (FACE WIDTH)	CRUSHING CAPACITY
6 X 6	Ø6" (Ø152mm)	6" (152mm)	2000Lbs/hr (907kg/hr)
8 X 8	Ø8" (Ø203mm)	8" (203mm)	2400Lbs/hr (1089kg/hr)
10 X 8	Ø10" (Ø254mm)	8" (203mm)	3000Lbs/hr (1361kg/hr)
10 X 10	Ø10" (Ø254mm)	10" (254mm)	3600Lbs/hr (1633kg/hr)
10 X 12	Ø10" (Ø254mm)	12" (305mm)	7000Lbs/hr (3175kg/hr)
12 X 10	Ø12" (Ø305mm)	10" (254mm)	7000Lbs/hr (3175kg/hr)
12 X 12	Ø12" (Ø305mm)	12" (305mm)	7000Lbs/hr (3175kg/hr)
14 X 8	Ø14" (Ø356mm)	8" (203mm)	9000Lbs/hr (4082kg/hr)
14 X 10	Ø14" (Ø356mm)	10" (254mm)	10000Lbs/hr (4536kg/hr)
14 X 12	Ø14" (Ø356mm)	12" (305mm)	12000Lbs/hr (5443kg/hr)
20 X 6	Ø20" (Ø508mm)	6" (152mm)	N/A