

# Bronto Jaw Crusher

## THE PINNACLE OF CRUSHING POWER

Elevate your rock and material crushing game with the Bronto Jaw Crusher—our largest and most formidable model. Built on the foundation of our industry-leading Terminator Jaw Crusher, the Bronto has been engineered to tackle even the most demanding crushing conditions.

### UNMATCHED CRUSHING CAPACITY

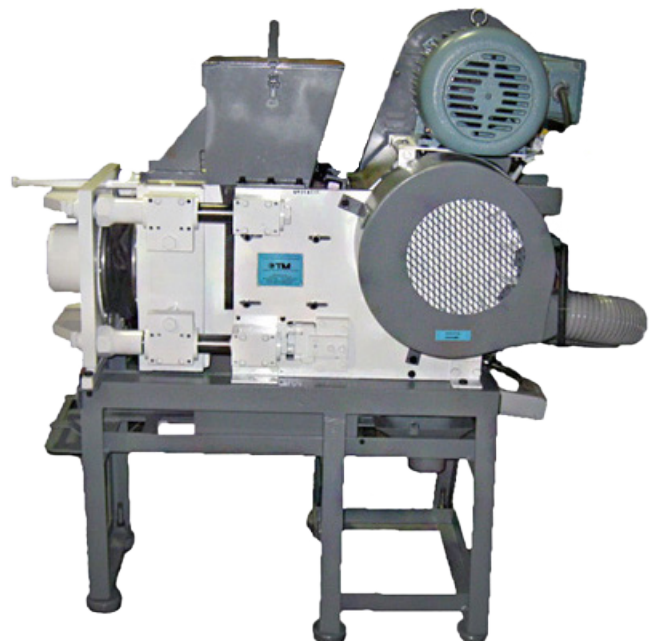
Featuring an expansive input gap of 7-1/2" x 7-1/2" (190.5 mm x 190.5 mm), the Bronto Jaw Crusher has the capability to crush larger rocks and other dry materials faster and more efficiently than any comparable jaw crusher on the market.

### KEY FEATURES

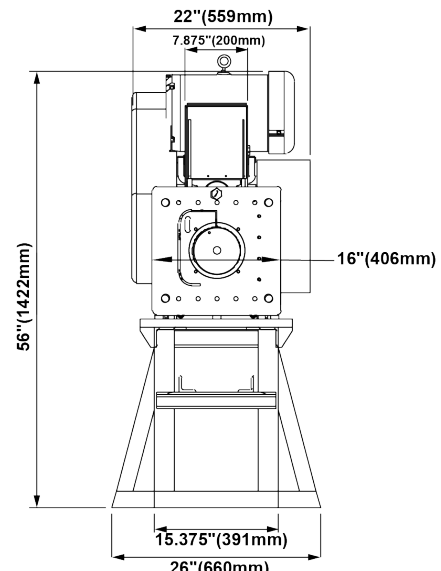
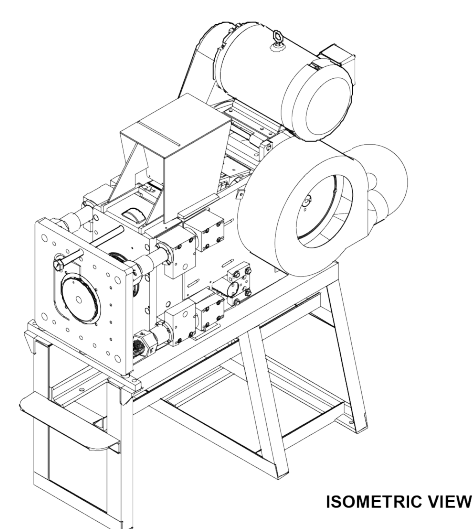
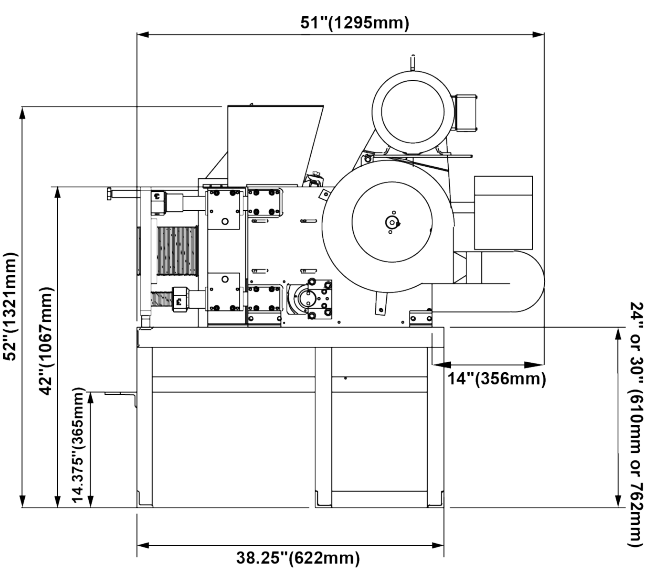
- **Auto Lubrication System:** Utilizes fully sealed bearings and a dedicated grease container to ensure no sample contamination.
- **Adjustable Jaw Opening:** Ranges from 0" to 3" at the bottom (0 to 76.2 mm), effortlessly adjusted via a user-friendly screw mechanism. The ingenious design supports a larger-than-standard opening while maintaining durability for high-demand applications.

- **High-Powered Motors:** Choose between a 7.5 HP or 10 HP motor, with the option for explosion-proofing in specialized applications.
- **Variable Speed Control:** Features a wired remote control for variable speed settings, including an explosion-proof variant for special requirements.
- **Industry-Specific Customization:** Ideal for the polysilicon sector, featuring specialized components like tungsten, UHMW, and polyurethane lining to prevent contamination.
- **Design Flexibility:** Available with full environmental enclosures, optional integration with a Rotary Sample Splitter, lifting mechanisms, and more. Custom design options to suit individual customer requirements.

For those in need of a jaw crusher that performs in the toughest conditions, the Bronto Crusher sets a new standard.



## Bronto Jaw Crusher Technical Specifications

<b>WEIGHT :</b>	<b>1684lb (764Kg)</b>
<b>POWER :</b>	<p><b>3 PHASE / 60Hz 7.5HP or 10HP MOTOR</b>  <b>SINGLE PHASE / AND/OR 50Hz MOTORS AVAILABLE</b>  <b>PLEASE SPECIFY AT TIME OF ORDERING</b></p> <p><b>VOLTAGE OPTIONS: 208, 220, 230, 240, 380, 415, 440, 460, 480, 575, 600</b></p> <p><b>EXPLOSION PROOF AVAILABLE FOR SPECIAL APPLICATIONS</b></p>
<p><b>DIMENSIONS :</b></p> <p>NOTE: ALL DIMENSIONS ARE NOMINAL AND ROUNDED FOR GENERAL REFERENCE</p> <div style="display: flex; justify-content: space-around; align-items: flex-start;"> <div data-bbox="292 1281 730 1890">  <p style="text-align: center;"><b>FRONT VIEW</b></p> </div> <div data-bbox="844 735 1315 1260">  <p style="text-align: center;"><b>ISOMETRIC VIEW</b></p> </div> <div data-bbox="747 1281 1396 1890">  <p style="text-align: center;"><b>SIDE VIEW</b></p> </div> </div>	