

TM/G1500 Pulverizer

THE TM/G1500 WITH ITS AUTOMATED CLAMPING SYSTEM SIMPLIFIES OPERATIONS

The TM/G1500 Pulverizer, a step up from the TM/STLX in size, features a lightweight aluminum door for effortless handling. It offers an automatic clamping feature and can accommodate grinding barrels ranging from 50ml to 500ml. Depending on your needs, the TM/G1500 can come with or without an air hoist.



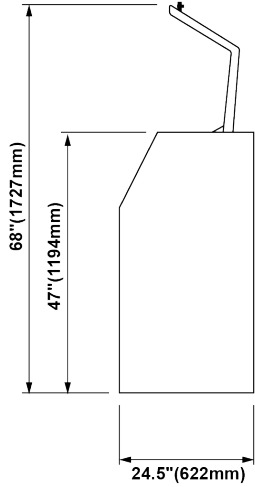
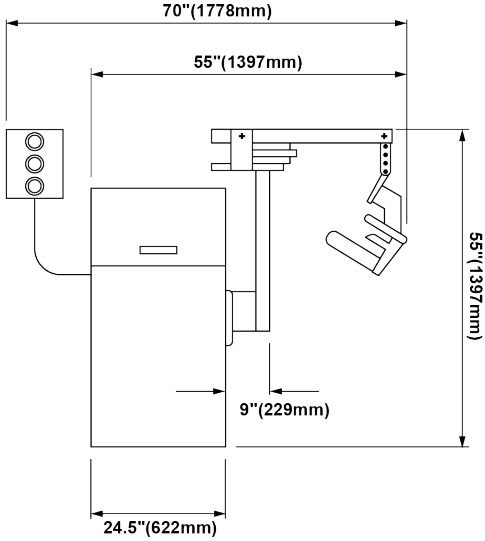
While the TM/G1500 was initially designed to be compatible with 1000mL and 1500mL grinding barrels, for operations requiring these sizes, we recommend the TM/MAX2 Pulverizer. It's designed for greater efficiency and speed.

KEY FEATURES

- **Grinding Barrel Range:** From 50ml to 500ml, ensuring adaptability for diverse requirements.
- **Mountable Control Panel:** Features an electronic timer, offering side-mounting options for operational flexibility.
- **Air Hoist Option:** Choose between models with or without an air hoist depending on your needs.
- **Reliability:** Engineered with a heavy-duty motor, the TM/G1500 promises durability and reliability.



TMG/1500 Pulverizer Technical Specifications

WEIGHT :	529lb (240Kg)
POWER :	<p>3 PHASE / 60 Hz / 1HP MOTOR SINGLE PHASE / AND/OR 50 Hz MOTORS AVAILABLE. PLEASE SPECIFY WHEN ORDERING</p> <p>VOLTAGE OPTIONS: 208, 220, 230, 240, 380, 415, 440, 460, 480, 575, 600</p>
CONFIGURATIONS :	STANDARD SINGLE GRINDING BARREL RECOMMENDED FOR UP TO 500mL FOR 1Kg TO 2Kg SAMPLES PLEASE REFER TO TM/MAX 2 PULVERIZER
<p>DIMENSIONS :</p> <p>NOTE: ALL DIMENSIONS ARE NOMINAL AND ROUNDED FOR GENERAL REFERENCE</p>	<p>IMPORTANT NOTE: THIS MACHINE HAS A PNEUMATIC CLAMPING SYSTEM WHICH NEEDS COMPRESSED AIR TO OPERATE</p> <div style="display: flex; justify-content: space-around; align-items: flex-start;"> <div data-bbox="386 1136 639 1661" style="text-align: center;">  <p>SIDE VIEW</p> </div> <div data-bbox="781 1083 1263 1661" style="text-align: center;">  <p>FRONT VIEW</p> </div> </div>