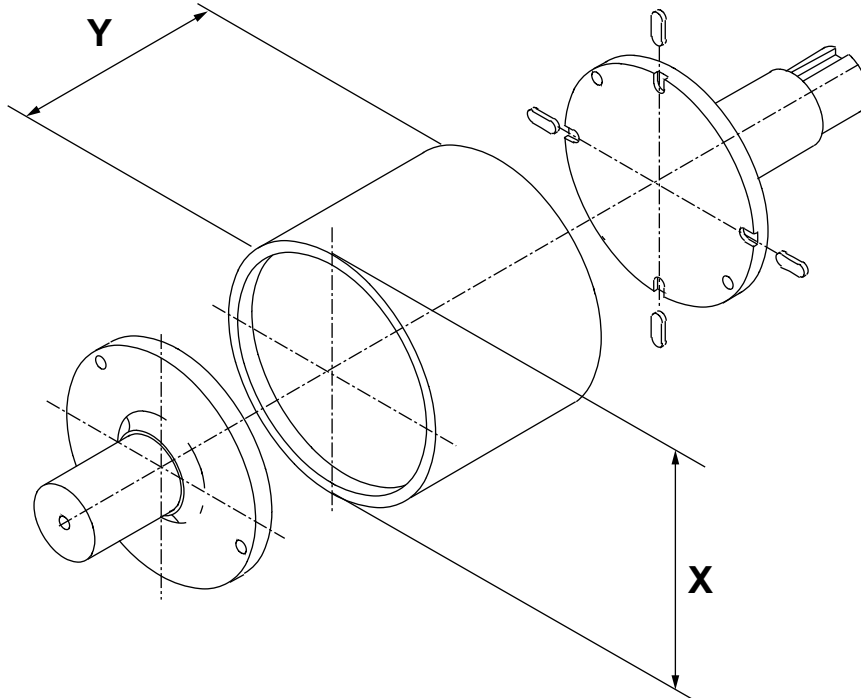


# Rolls Crusher Roller Sizes

**NIP ANGLES AND FEED SIZE DETERMINE THE ROLL DIAMETER**



**PERFORMANCE STATISTICS IN CHART BELOW ARE ONLY INDICATIVE. MACHINE CAPABILITY CAN VARY CONSIDERABLY DEPENDING ON ROCK HARDNESS AND PARTICLE SIZE DISTRIBUTIONS.**

**SIZES AVAILABLE :**

MODEL	X (DIAMETER)	Y (FACE WIDTH)	CRUSHING CAPACITY
6 X 6	Ø6" (Ø152mm)	6" (152mm)	2000Lbs/hr (907kg/hr)
8 X 8	Ø8" (Ø203mm)	8" (203mm)	2400Lbs/hr (1089kg/hr)
10 X 8	Ø10" (Ø254mm)	8" (203mm)	3000Lbs/hr (1361kg/hr)
10 X 10	Ø10" (Ø254mm)	10" (254mm)	3600Lbs/hr (1633kg/hr)
10 X 12	Ø10" (Ø254mm)	12" (305mm)	7000Lbs/hr (3175kg/hr)
12 X 10	Ø12" (Ø305mm)	10" (254mm)	7000Lbs/hr (3175kg/hr)
12 X 12	Ø12" (Ø305mm)	12" (305mm)	7000Lbs/hr (3175kg/hr)
14 X 8	Ø14" (Ø356mm)	8" (203mm)	9000Lbs/hr (4082kg/hr)
14 X 10	Ø14" (Ø356mm)	10" (254mm)	10000Lbs/hr (4536kg/hr)
14 X 12	Ø14" (Ø356mm)	12" (305mm)	12000Lbs/hr (5443kg/hr)
20 X 6	Ø20" (Ø508mm)	6" (152mm)	N/A